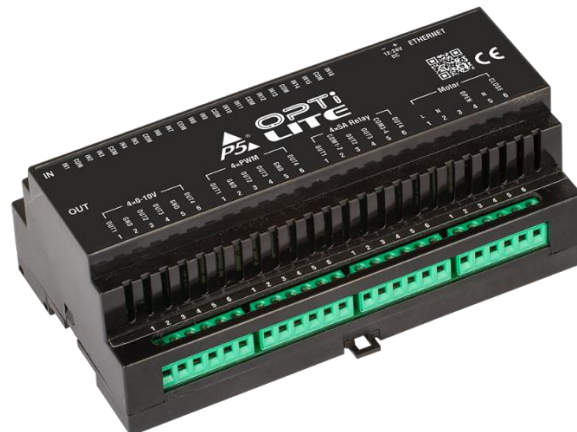


Opti Lite - Data Sheet

Rev 23.05.2023



OPTI Lite - Optimized for success

P5 Opti Lite has been developed with total flexibility and cost-effectiveness in mind and will revolutionize the way projects are managed.

The outputs of Opti Lite units are tailor-made. You don't have to pay for unused channels any more. Opti Lite is the ultimate approach to small and multi-dwelling unit projects.

OPTI Lite is basically a 4 in 1 FutureNow (the established product range by P5) with more power and resources. You no longer have to buy a different box for each function. You can combine four different functions in a single box. For example, you can use a single OPTI Lite unit to control a few on/off lights, RGB LED lighting, a blind and even have digital inputs for sensors/manual control or activating macros/scenes.

The OPTI Lite main board has 16 digital inputs and slots for 4 Output Boards.

OPTI Lite comes with the Output Boards in place so you must specify the type of boards at the time of the order.

Main features

Scalability

- Modular 4 in 1
- Cost effective
- No more wasted channels
- No more wasted space
- Ideal for MDU projects (a large number of the same small systems)

Flexibility

- 16 digital inputs on the mainboard
- Modular hardware design
- Tailor-made outputs by combining various types of output boards
- Output functions triggered by input events

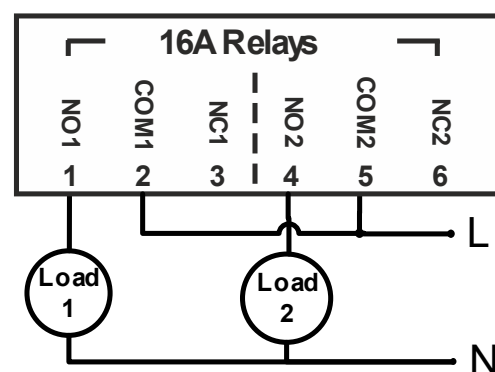
Simplicity

- No coding needed

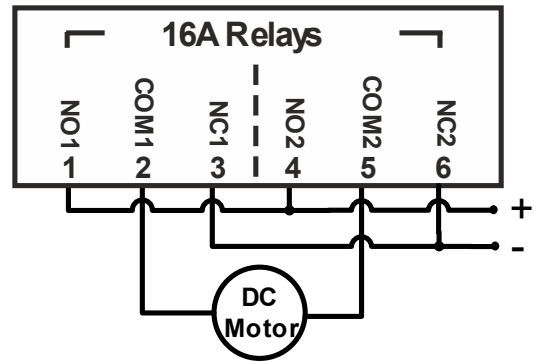
Output modules

2x16A dry contacts

2 relays with NO/NC contacts. It can also be used for DC motor control.

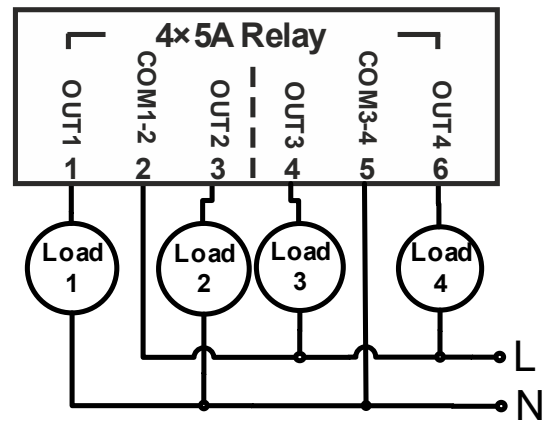


DC motor control connections



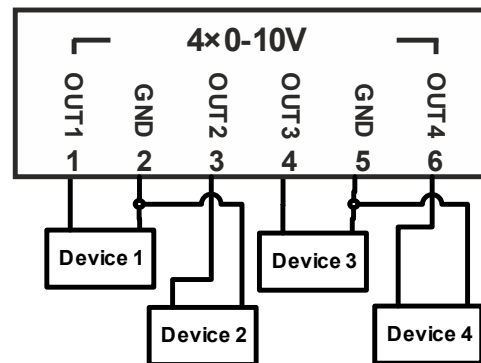
4x5A dry contacts

4 relays with NO contacts



4x0-10V outputs

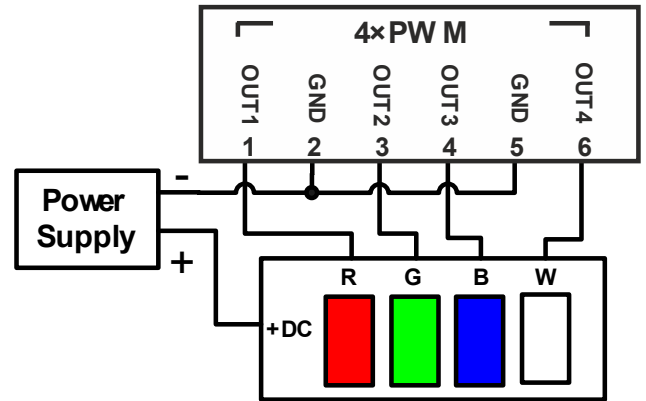
4 channel 0-10V voltage outputs



4xPWM outputs

4 channel PWM outputs for LED dimming. Single colour or RGB.

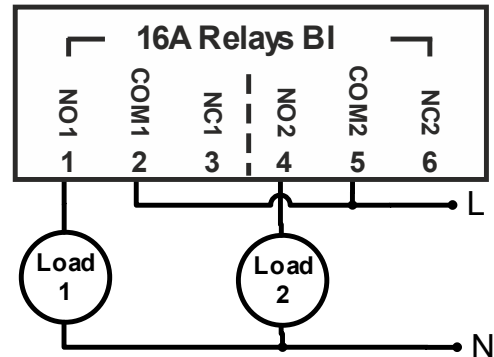
Multiple Power supplies can be used (12V-48V)



2x16A dry contacts using bi-stable relays

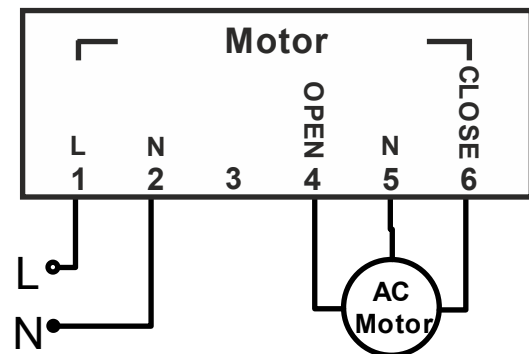
2 channel NO/NC relays

They are latched in both positions and only use power to switch over.



Motor controller

One channel motor controller for AC motors



TECHNICAL SPECIFICATIONS

Power Requirements	
	12 – 24V DC
Input parameters	
Contact closure inputs	
Maximum resistance	< 10Ω
Output Modules	
One phase per output module	
2x16A Output module	
Type	2 x SPDT NO, NC, dry contacts
Load (AC)	250V max. 16A for resistive (cos(fi)=1) load 250V max. 8A for inductive (cos(fi)=0.4) load
Load (DC)	max 16A@24V
Power Consumption	max 1.5W
4x5A Output module	
Type	4 x SPDT NO, dry contacts
Load (AC)	250V max. 5A for resistive (cos(fi)=1) load 250V max. 2A for inductive (cos(fi)=0.4) load
Load (DC)	max 5A@24V
Power Consumption	max 1.5W
0-10V Output module	
Load	max. 20mA/Channel
PWM Output module	
Type	PWM type LED dimmer outputs
Voltage	12 – 48 V DC
Load/Ch	max 8A/channel
Load/board	max 24A/board
Power Consumption	max 3.5W
2x16A.BI Output module	
Type	2 x SPDT NO, NC, dry contacts
Load (AC) for NO	250V max. 16A for resistive (cos(fi)=1) load 250V max. 8A for inductive (cos(fi)=0.4) load
Load (AC) for NC	250V max. 5A for resistive (cos(fi)=1) load
Load (DC)	max 8A@24V
Power Consumption	0W
Motor controller module	
Type	relay outputs for direction control
Max voltage	250V AC
Load	Max. 4A for inductive (cos(fi)=0.4) load
Power Consumption	max 1.5W

Communication		
Control	TCP (simple ASCII TCP command) Built-in web server Local inputs	
Interoperability	Drivers available for most systems	
Connectors		
Input Terminals	1.5mm ² screw terminals	
Output Terminals	2.5mm ² screw terminals	
LAN (100Mb/s)	RJ45 Ethernet Connector	
Environmental		
Operating Temperature	0 °C – 40 °C (32 °F – 104 °F)	
Storage Temperature	-20 °C – 60 °C (-4 °F – 140 °F)	
Humidity	Up to 93% (Non condensing)	
Physical		
Dimensions (H x W x D)	157 mm x 86 mm x 57 mm (9 DIN unit width)	
Weight	max 0.4 kg	
Installation	Standard DIN Rail Mount	
Approvals	Package Content	Warranty
CE	Opti Lite Quick Installation Guide	2 years

REFERENCES

Opti Lite discovery tool (Registration required on www.p5automation.com)

(Please email us at support@p5.hu to request the Communication Protocol Description)

CONTACT DETAILS

support@p5.hu

<http://p5.hu/index.php/support/contact-technical-support>